



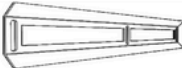
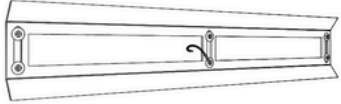




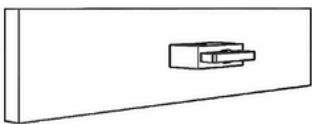
HYPHEN MANUAL

Pt.	A 	B 	C 	D 	E 
Qty.	6	6	6	1	1
Exc.	All mini: 4 2RS: 6	All mini: 4 2RS: 6	All mini: 4 2RS: 6		






A: Plug (50 x 6 mm)
B: Washer (5 x 10mm)
C: Screw (50 x 4 mm, Philips head)
D: Grounding wire (20 cm, Ring terminal)
E: Wallplate

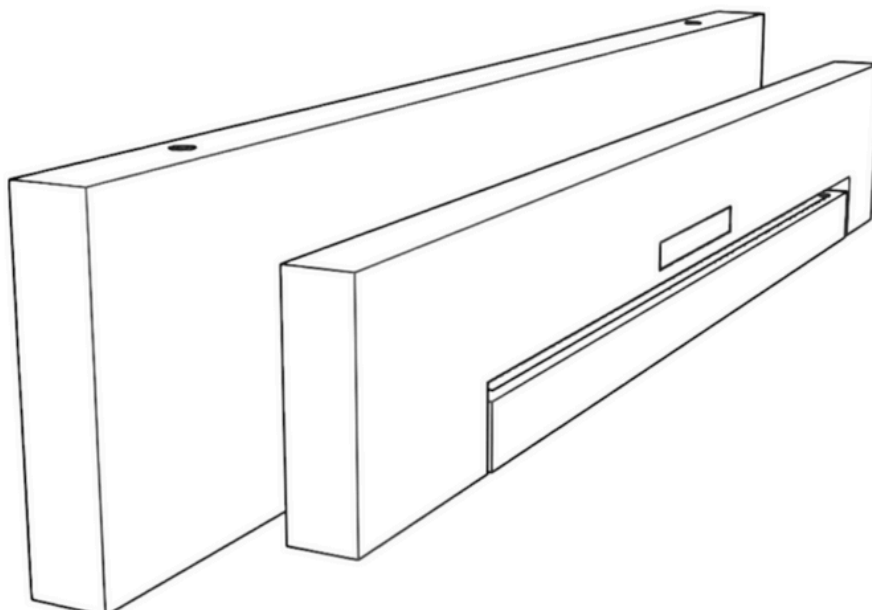
Pt.	F 	G 
Qty.	1	1
Exc.		



F: Backplate
G: Adapter

H: Wago (2 wire, 4 mm)
I: Bolt (M4 x 20 mm, Allen head)
J: Cover Hyphen

Pt.	H 	I 	J 
Qty.	3	4	1
Exc.			

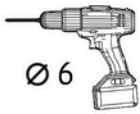


Toolings



Position the Wall Plate:

- 1) Hold the wall plate at the desired location.
- 2) Use a spirit level to ensure it is level.
- 3) Align power cables with the openings in the wall plate.
- 4) Mark the drill points through the wall plate openings with a pencil.



Drill the Holes:

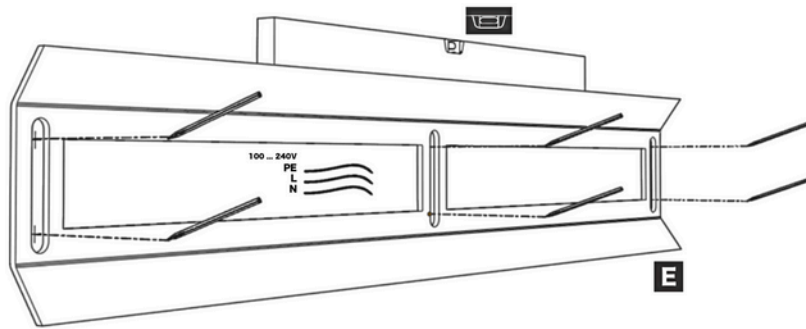
- 1) Use a 6mm diameter drill bit.
- 2) Drill the marked holes perpendicular to the surface.



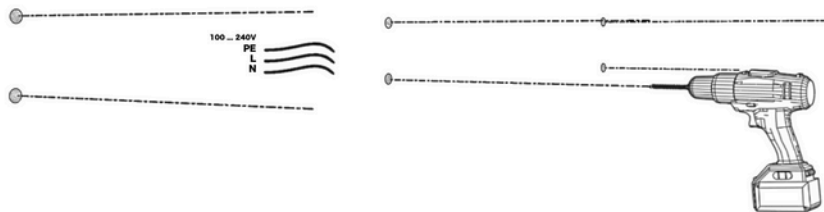
Insert Plugs and Secure the Wall Plate:

- 1) Insert a plug into each drilled hole.
- 2) Position the wall plate.
- 3) Place a washer over each screw.
- 4) Attach the grounding wire with an eyelet over one of the screws.
- 5) Secure all screws using a Phillips (PZ2) screwdriver.
- 6) You can insert the grounding screw in the middle or any other screw as needed.

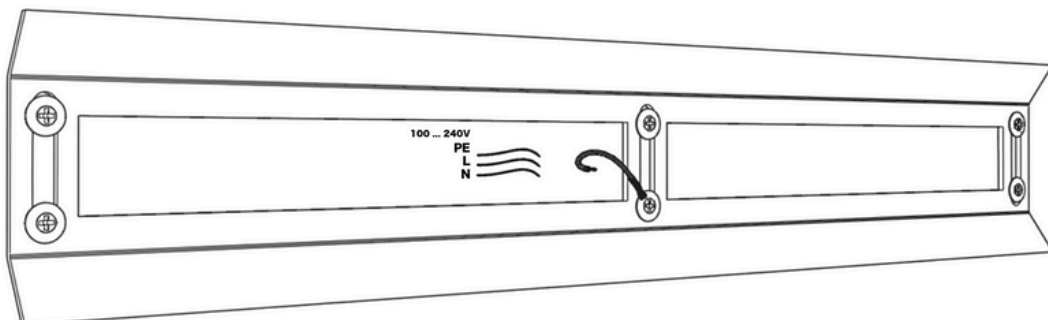
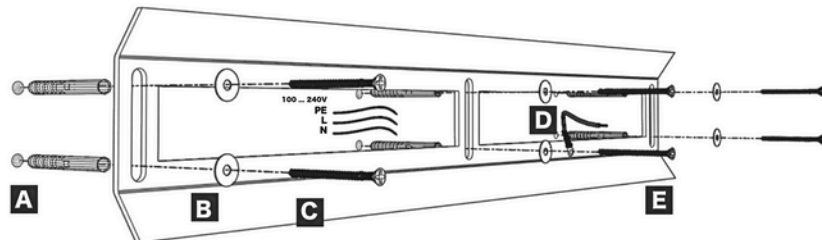
1



2



3



Toolings

Connect the backplate:

- 1) Use a Wago connector to connect the ground wire to the grounding terminal on the wall plate.
- 2) Use Wago connectors to join the neutral wire (N) to the blue wire.
- 3) Use Wago connectors to join the live wire (L) to the brown wire.
- 4) Place the back plate over the wall plate.

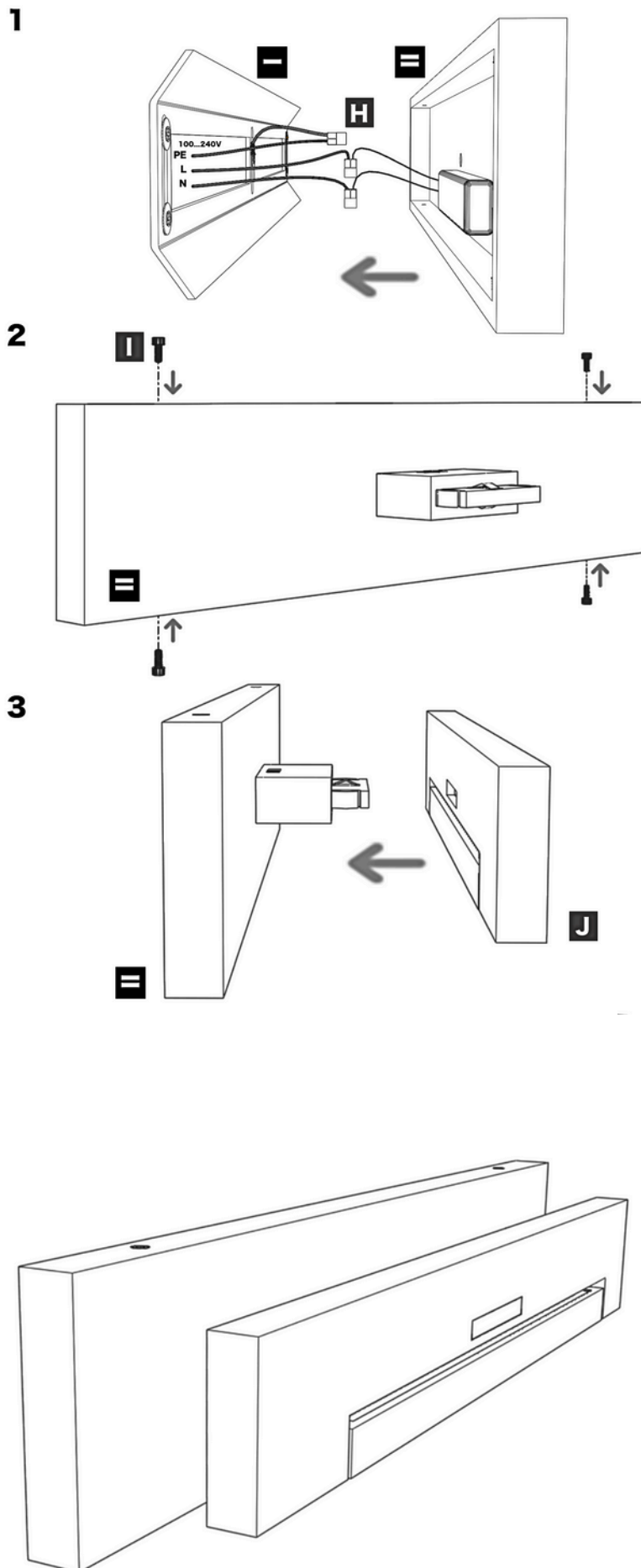


Secure the backplate:

- 1) Use the Allen key provided to screw the two top bolts into the holes on the back plate.
- 2) Adjust the back plate slightly left or right if needed.
- 3) Secure the back plate by hand-tightening the bottom bolts.

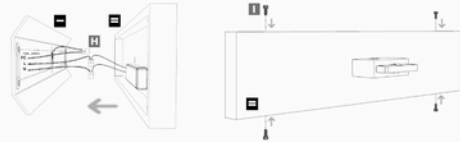
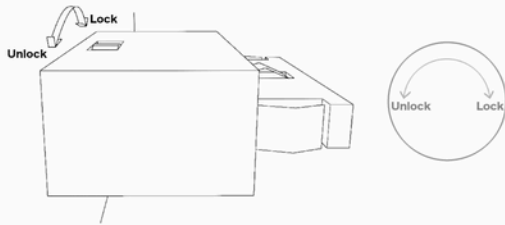
Installing the Cover on the Adapter

- 1) Slide the cover over the adapter carefully.
- 2) Apply even pressure on both sides until the cover snaps securely into place.



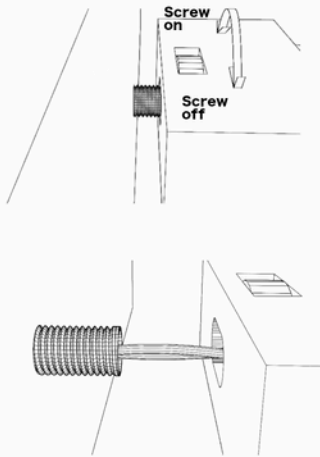
Unlocking and Removing the Adapter

1) Turn the wheel counterclockwise (CCW) to unlock the adapter.



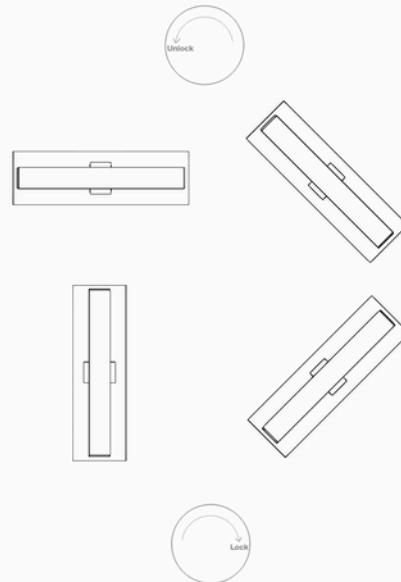
a) To remove adapter:

- 2) Take off the backplate.
- 3) Disconnecting the wiring from the adapter. (see below)
- 4) Keep turning CCW until the adapter is loose.
- 5) Pull the wires out to remove the adapter.



b) To change the angle of the Hyphen:

- 2) Rotate the adapter to the desired angle.
- 3) Turn the wheel clockwise (CW) to lock the adapter in place.



Disconnecting the Wiring from the Adapter

1) Open the Wago connectors.

2) Remove the wires (A) from the connectors.

